

# SWITEK

In mold labeling systems.





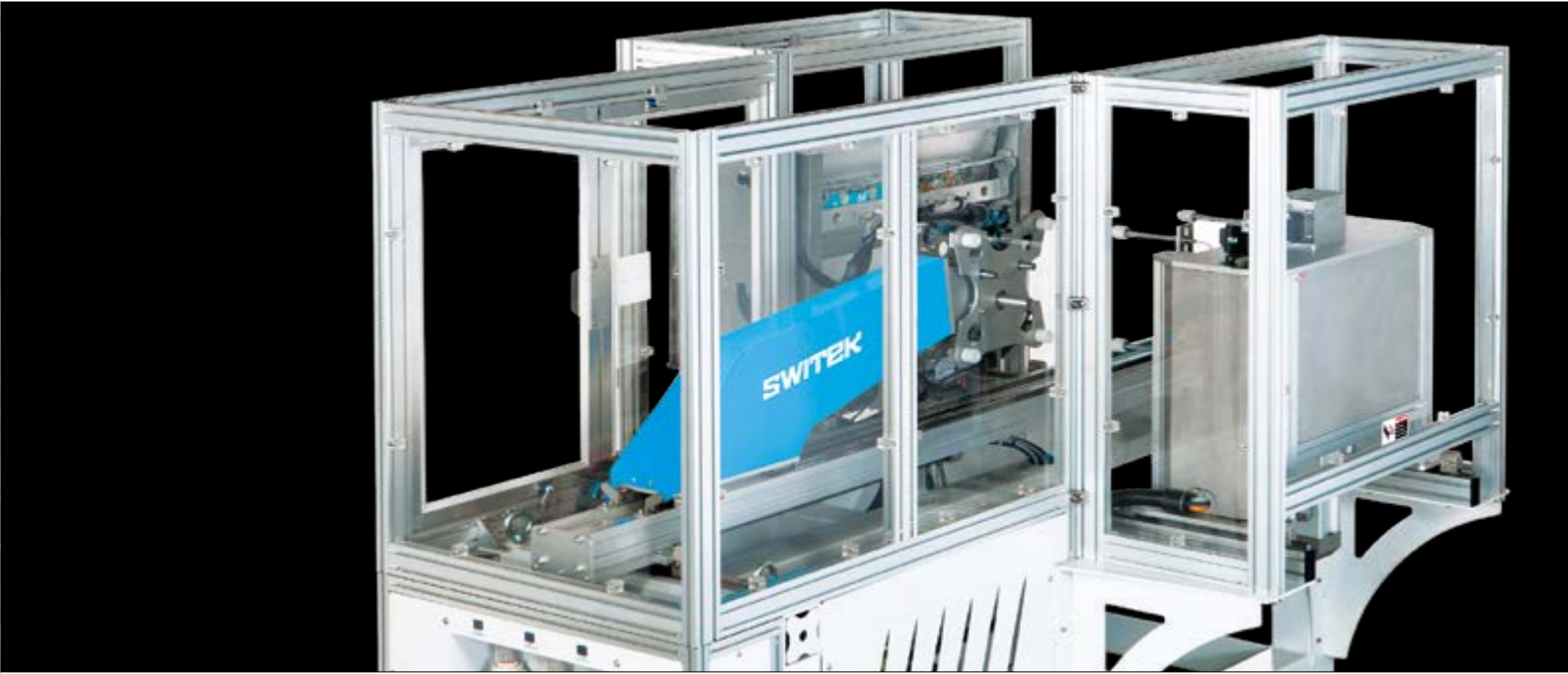
**SWITEK**

We are a company built on innovation, These innovations inspire us to create best-in-class products that enhance the benefit of our clients. When we face an engineering challenge it energizes us, it gives us the liberty to invent and to look for the right solution. This approach guides us and inspires us to move forward.





# Side entry IML

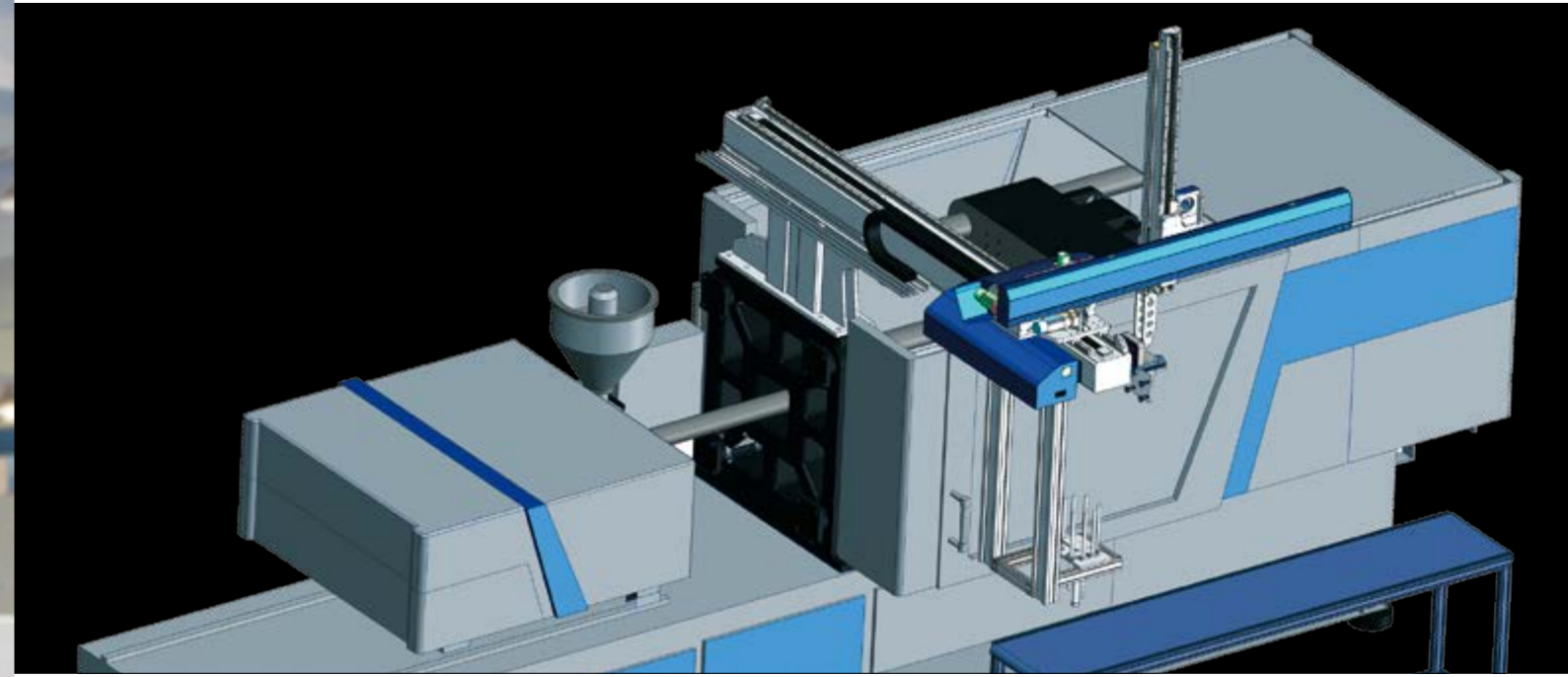


From development, through execution to implementation for all industrial fields, we offer diverse in mod label solutions according to our customer requirements and specifications.





## Top entry iml



- very versatile system.
- many changes of products.
- possibility of making label assortments.
- servo label store, versatile for all kinds of products.
- normal cycle time.



# SWITEK



## Standard layout

- Label Cassette(Magazine).
- EOAT(End of Arm Toolings).
- Static Charger.
- Stacking unit(Optional).

## Product Design

- Flat.
- Round Rectangular.
- Oval.
- Polygonal.



## Label Design

- Flat.
- U-shape.
- 3 or 5 sides.
- Wrap-around.
- Wrap-around/with bottom label.
- Lenticular.

## Label Thickness

- 45 ~ 130 micron.
- 450 micron 3D label.





**SWITEK** systems are the result of coherent and highly efficient production concepts, ranging from standard processes for standard products up to complex customized turnkey solutions, in accordance with the level of performance achieved by our systems and the combination of high speed and large production volumes, our main focus is on markets in the field of medical devices, automotive and the consumer goods industry.

[switek@switek.com.cm](mailto:switek@switek.com.cm)

**SWITEK**

[www.switek.com.cn](http://www.switek.com.cn)